

Disc Capsule Filter

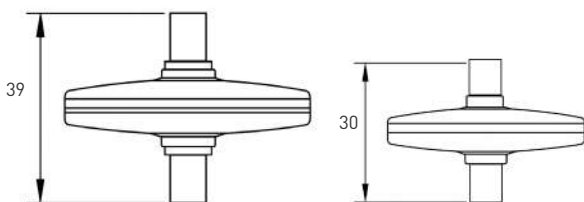
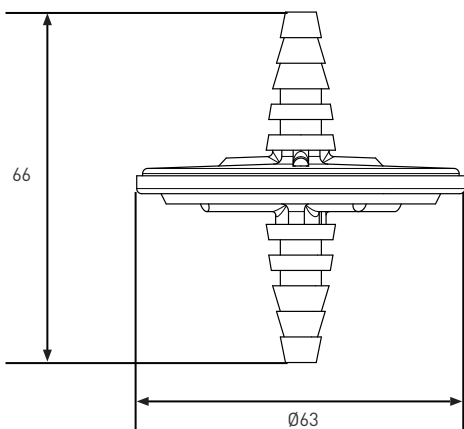
GVS disk filters are a family of capsule filters specifically designed for small volume, critical applications of gas and liquid filtration in pharmaceutical and biotechnology.



Typical Applications

- Sterile venting of small containers, vessels
- Sterile ventilation of small bioreactors
- Small volume liquid application

Dimensions



Advantages

- Cost Saving
- Easy connection
- 100% Integrity Test
- Available in multiple choice of media and ratings

Construction of Materials

Filter Membrane	PTFE, PES, Nylon, PVDF, PP
Media Support	PP
End Caps	PP

Active Filtration Area

21cm²

Toxicity

All materials meet the specifications for biological safety per USP Class VI -121C° for plastics.

Food Safety Compliance

Materials of construction comply with FDA regulations for food and beverage contact use as detailed in the US Code of Federal Regulations, 21CFR. Materials used to produce filter media and hardware are safe for use in contact with foodstuffs in accordance with EU Directives 10/2011

Eg.=>CDK50PT0004G4M24M20

ORDERING INFORMATION						
Product Type	Membrane Type	Membrane pore size	Application	Fittings in	Fittings out	Revision
CDK50 = Disk Filter	PT = PTFE phobic	0004 = 0.04µm	G = Gen Purpose	4M2 = 1/4"-1/2" M.Step HB	4M2 = 1/4"-1/2" M.Step HB	0 = Rev.0
	PS = PES phobic	0020 = 0.2µm	I = Ster. Gr. IR	1NM = 1/8" NPT	1NM = 1/8" NPT	1 = Ster Pack-R
	SH = PES phobic	0045 = 0.45µm		1LL = Luer	1LL = Luer	
	NY = Nylon	0065 = 0.65µm				
	PV = PVDF phobic	0100 = 1µm				
	PP = PP	0300 = 3µm				